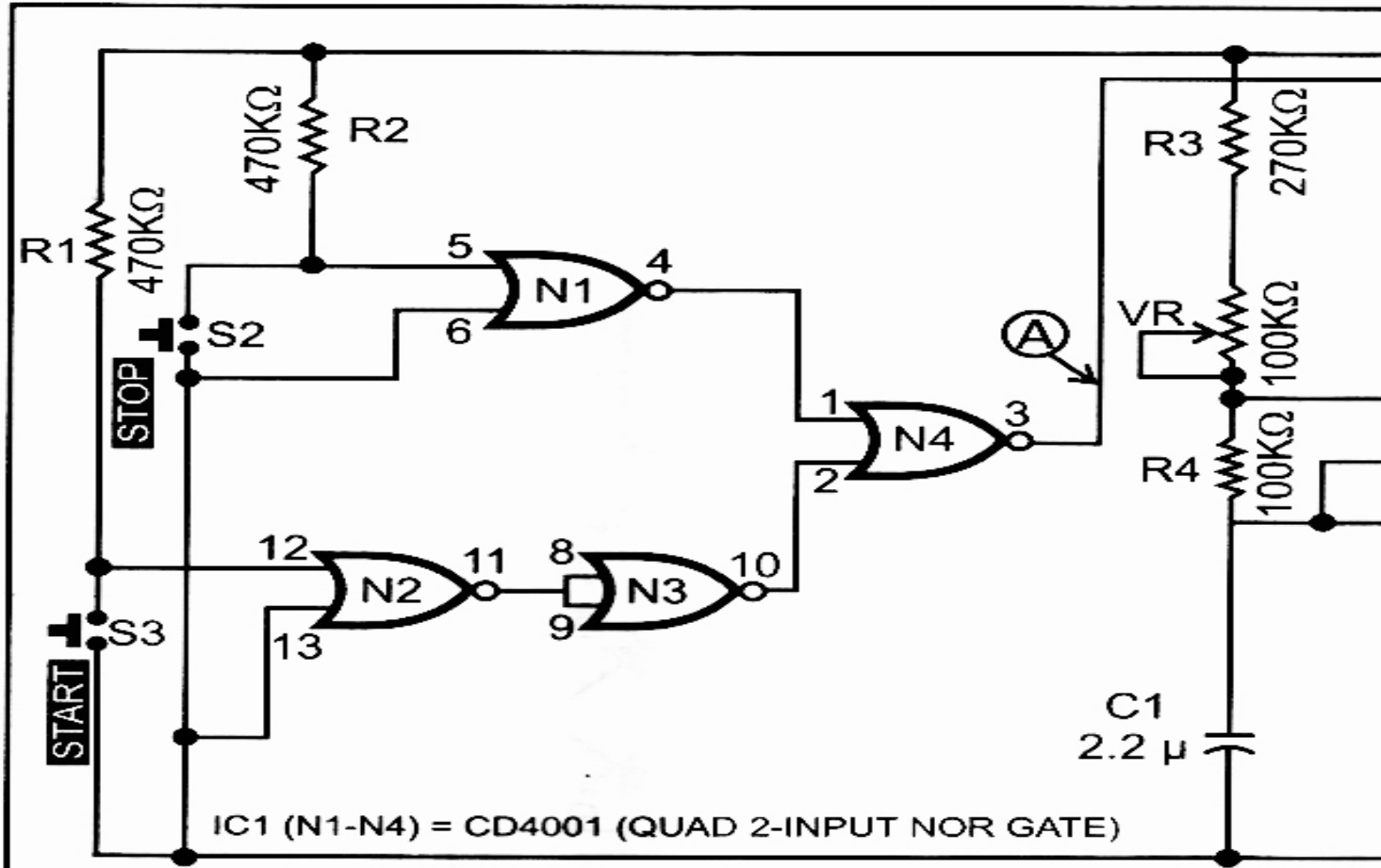
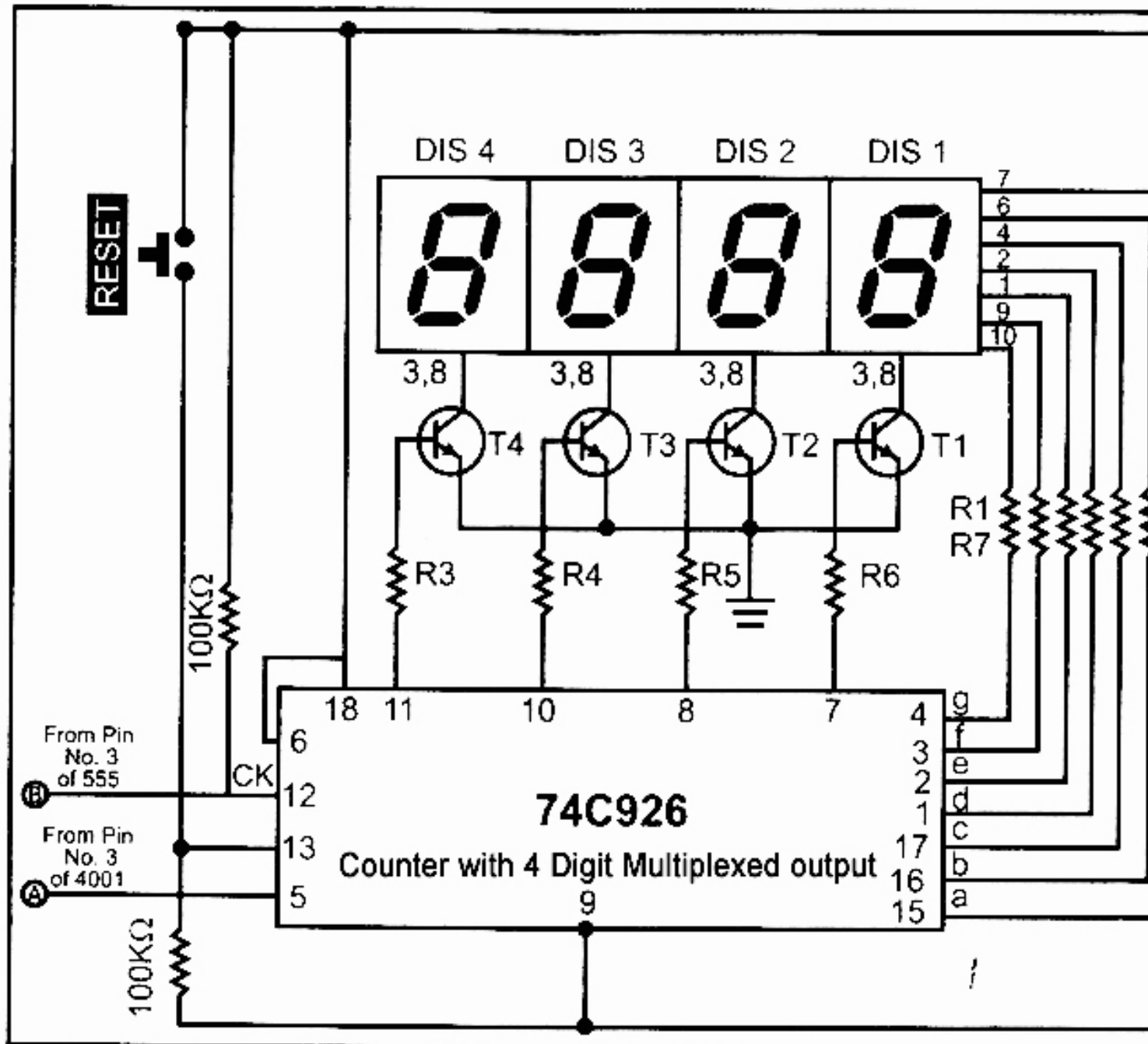


Driving LED Displays & Display Driving Circuits



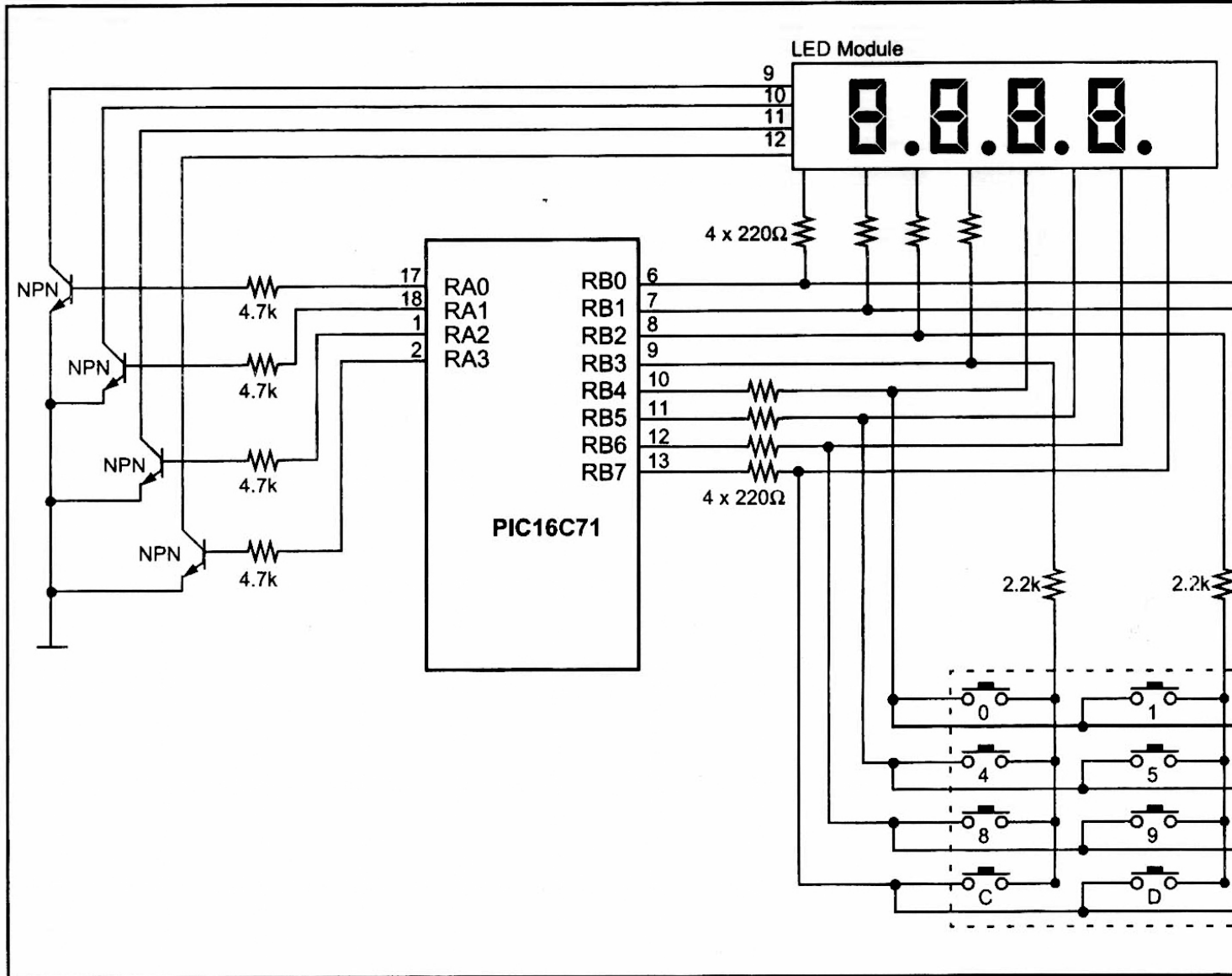
Circuit diagram (using calculator)

USING IC74C926 - a 4 digit counter and



Optional display (Replacement of Calculator)

FIGURE 2: MULTIPLEXING FOUR 7-SEGMENT LEDS WITH A 4X4 KEYPAD



TIME CLOCK CIRCUITS

