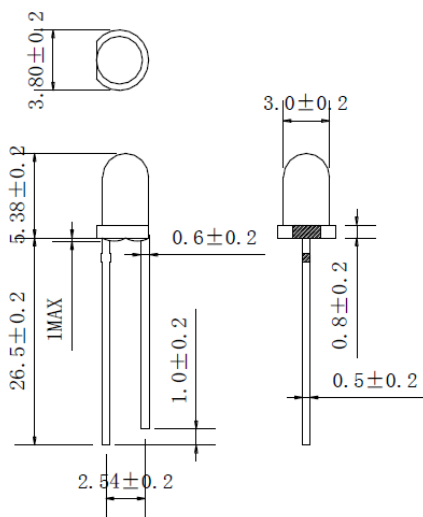


Package Dimension:



**Absolute Maximum Ratings at Ta=25**

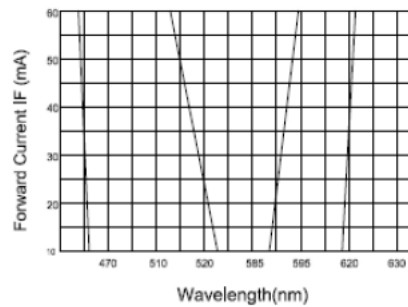
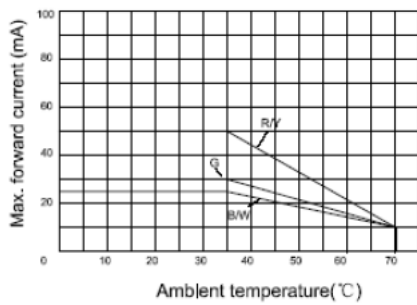
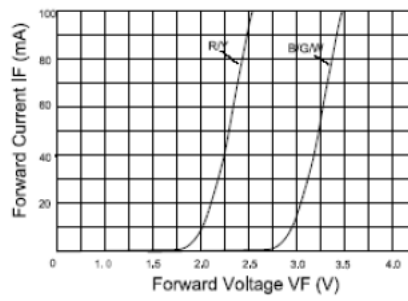
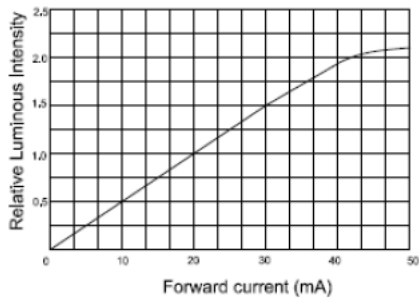
Parameter	Symbol	Absolute maximum Rating	Unit
Continuous Forward Current	I <sub>F</sub>	20	mA
Peak Forward Current (1/10 Duty Cycle, 0.1ms Pulse Width)	I <sub>FP</sub>	80	mA
Reverse Voltage	V <sub>R</sub>	5	V
Power Dissipation	PD	40	mW
Operating Temperature Range	T <sub>opr</sub>	-30 to +85	°C
Storage Temperature Range	T <sub>stg</sub>	-40 to +100	°C
Lead Soldering Temperature [3mm From Body]	T <sub>slid</sub>	260°C for 5Seconds	

**Electrical Optical Characteristics at Ta=25**

Parameter	Symbol	Test Condition	Min.	Type.	Max.	Unit
Forward Voltage	V <sub>F</sub>	I <sub>F</sub> = 20mA	1.8	---	2.3	V
Reverse Current	I <sub>R</sub>	V <sub>R</sub> = 5V	---	---	10	µA
Wavelength	λ P	I <sub>F</sub> = 20mA	620	---	630	nm
Luminous Intensity	I <sub>V</sub>	I <sub>F</sub> = 20mA	100	---	150	mcd
Viewing Angle	2θ <sub>½</sub>	I <sub>F</sub> = 20mA	40	---	50	deg

● Typical Electrical /Optical Characteristics Curves

(25°C Ambient Temperature Unless\_ Otherwise Noted)



**kwality**

ISO 9001-2008

**KWALITY PHOTONICS PRIVATE LIMITED**

29, EC Kushaiguda, Hyderabad-50 062, INDIA. PH:91-040-27123555,27136252

Email: [sales@kwalityindia.com](mailto:sales@kwalityindia.com) [www.kwalityindia.com](http://www.kwalityindia.com)