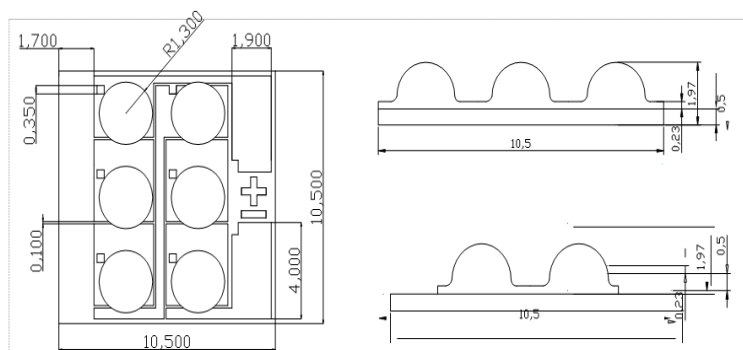
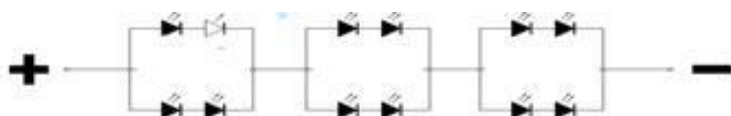


Package Outline Dimensions



Circuit Diagram



Absolute Maximum Ratings

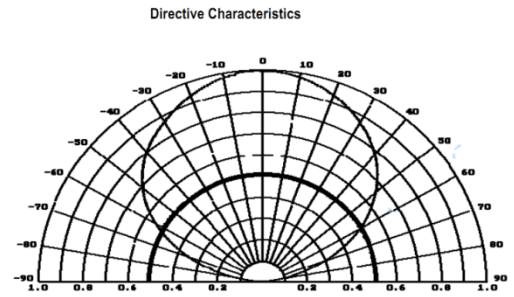
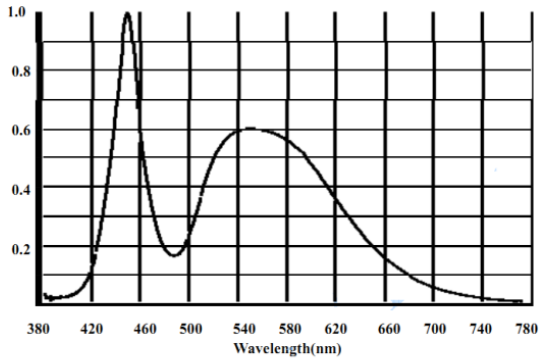
(Ta=25°C)

Parameter	Symbol	Rating	Unit
Reverse Voltage	VR	30V	V
Forward Current	IF	350	mA
Operating Temperature	Topr	-20~+80	°C
Storage Temperature	Tstg	-20~ +80	°C
Power Dissipation	Pd	7000	mW
Peak Forward Current	IFP	350	mA

Electro –Optical Characteristics

(Ta=25°C)

Parameter	Test Condition	Symbol	Min	Typ	Max	Unit
CIE Coordinates	I=300mA	X	0.310	0.325	0.340	---
		Y	0.330	0.345	0.360	
Forward Voltage	IF=300mA	Vf	18.0	19.0	20.0	V
Luminous flux	IF=350mA	φ	630	680	700	Lm
Color Temperature	IF=300mA	Tc	5000	6000	7000	K
Viewing angle at 50% Iv	----	201/2	110	----	120	Deg
Reverse Current	Vr = 30V	Ir	----	----	10	μA
Color Rendering Index	IF = 300mA	CRI	70	72	----	



kwalitiy

KWALITY PHOTONICS PRIVATE LIMITED

ISO 9001-2008 29, EC Kushaiguda, Hyderabad-50 062, INDIA. PH:91-040-27123555,27136252

Email: sales@kwalitiyindia.com www.kwalitiyindia.com