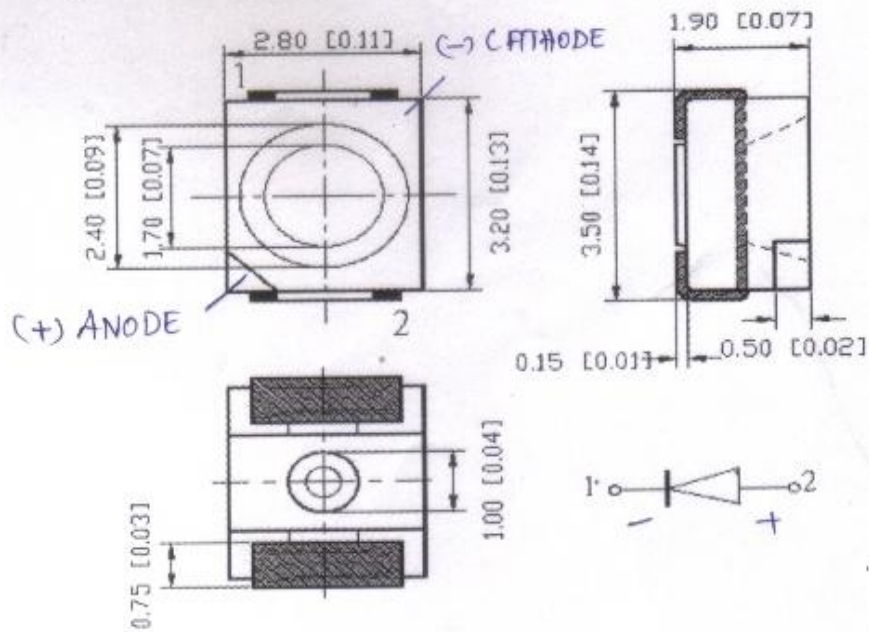
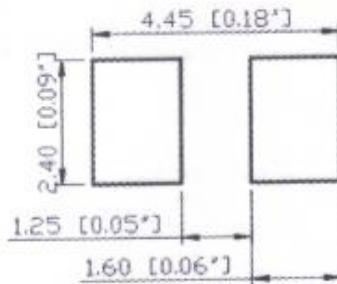


DATA SHEET -70 PLCC 3229 (Reverse Polarity E Chip Series) KLSL3229SY – KLSL3229UR

Outline Dimensions



RECOMMEND PADLAYOUT



kwaliti
ISO 9001-2000

KWALITY PHOTONICS PRIVATE LIMITED

29, EC Kushaiguda, Hyderabad-500 062, INDIA. Ph : 91-040-27123555, 27136252 Fax : 91-040-27124762
Email : kwaliti@kwalitiindia.com www.kwalitiindia.com

KLSL3229SY ,KLSL3228UR- Amendment Note: THIS POLARITY IS REVERSE (CUT INDICATING ANODE)
Rest of the data as per KLSL3228X (Datasheet no.46)

Handwritten signature