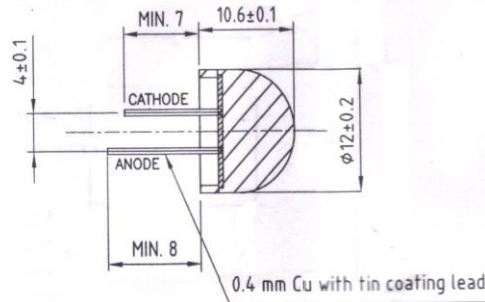


Kwality Photonics P Ltd

29, EC, Kushaiguda, Hyderabad 500062 India

www.kwalityindia.com kwality@kwalityindia.com

040-27123555, 27136252, 09391017046



KLI12XXN

XX= Color
N= Number Of Chips

LED

OPERATING CHARACTERISTICS		Ultra Red	Super Yellow	Super Amber	Ultra Green	Blue	White	Warm White
		KLI12-UR2	KLI12- SY2	KLI12-SA2	KLI12-UG1	KLI12-B1	KLI12W	KLI12WW
Color Temperature CCT		-	-	-	-	-	4500-9000K	2500-3500K
Wavelength (Typ) nm/CIE(x,y)	λ	627	589	604	519	458	x,y=0.3,0.3	x,y=0.35,0.35
Vf typ @20mA	V	3.6	4.0	3.8	3.5	3.3	3.3	3.3
Vf max @20mA	V	4.0	4.2	4.2	4.0	4.0	4.0	4.0
Intensity	mcd	210	210	340	40	250	180	150
Max Current DC in mA	mA	30	30	30	30	30	30	30
Max Current Pulse 0.1ms	mA	60	60	60	60	60	60	60

Storage Temperature Range: -10°C ~ 85°C

Max LED Junction temp 120°C Max PCB Temp. 60°C

Lead Soldering Temperature < 230°C for 5 Seconds.

Thermal Resistance Junction to Board at 1F = 20mA (Ta =25°C) 120°C/W.

5V Operation: Use Series Resistor: 5 ohms (1/8W) with each LED externally.