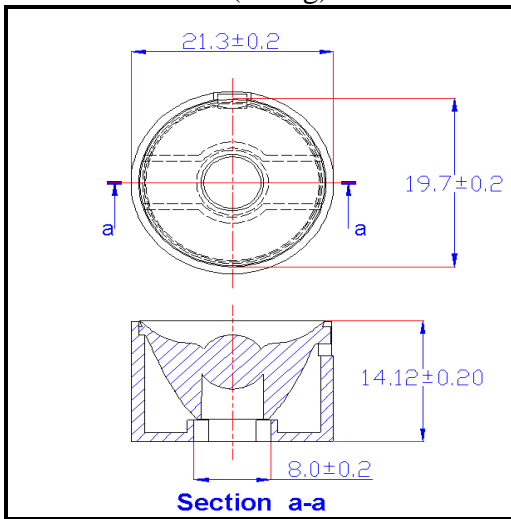
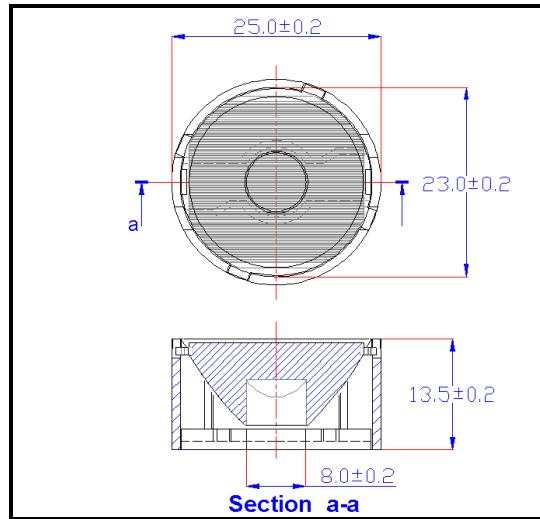


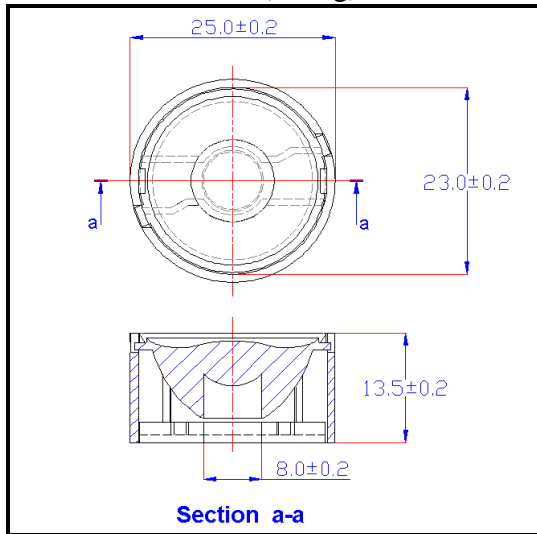
AA15-M15 (15deg)



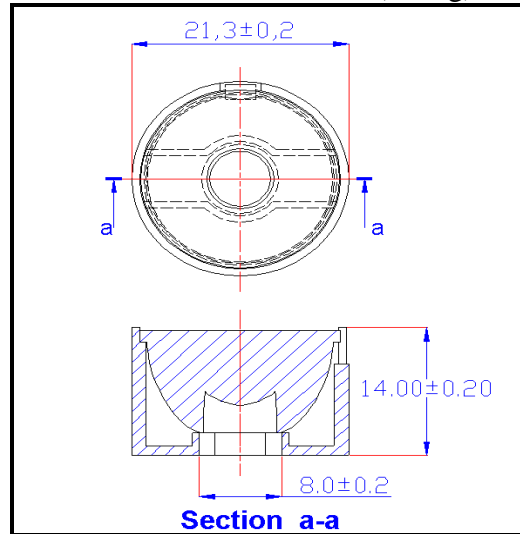
AA1550-M15



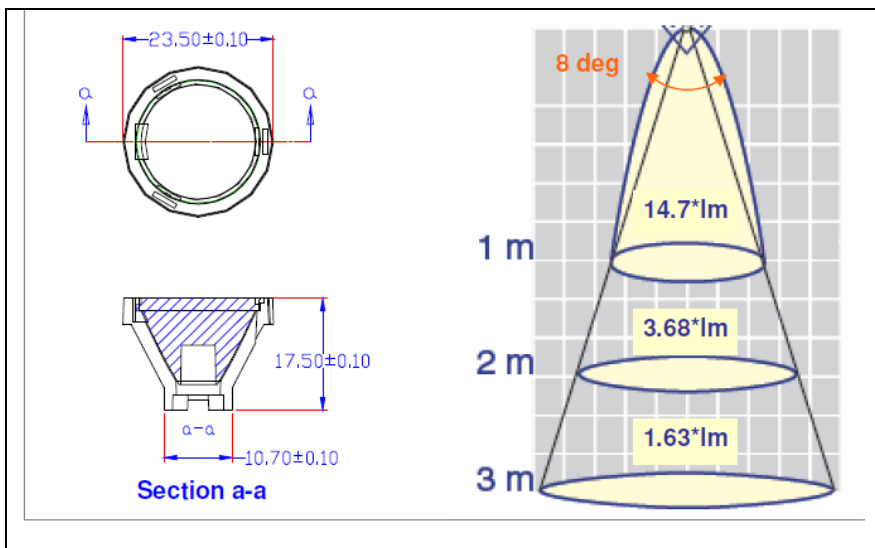
AA25-M15 (25deg)



AA45-M15(45deg)



AT08-M15 (8 deg)



**kwality**

**KWALITY PHOTONICS PRIVATE LIMITED**

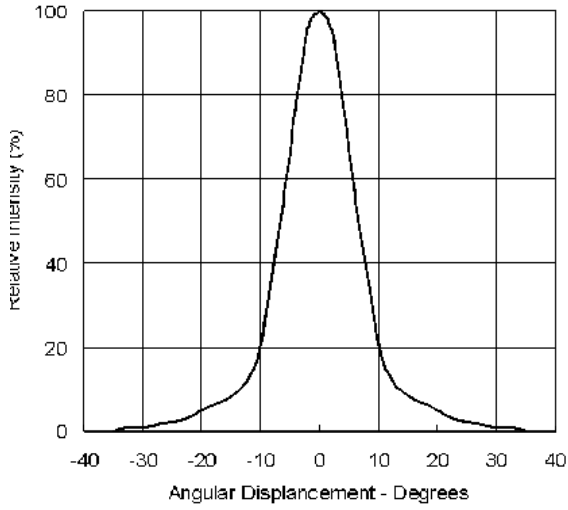
ISO 9001-2000 29, EC Kushaiguda, Hyderabad-50 062, INDIA. PH:91-040-27123555, 27136252 Fax : 91-040-27124762

Email : [kwality@kwalityindia.com](mailto:kwality@kwalityindia.com), [sales@kwalityindia.com](mailto:sales@kwalityindia.com)

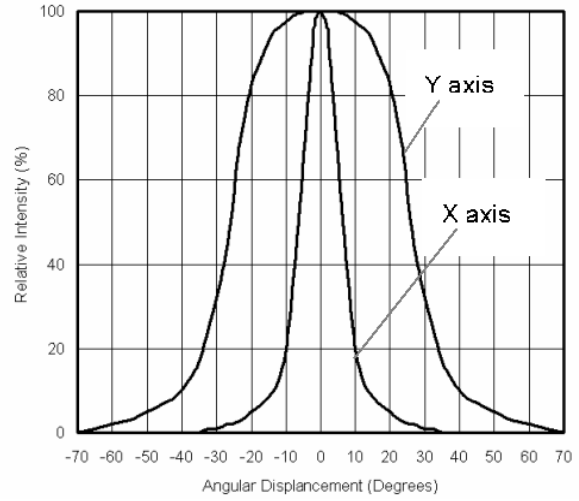
[www.kwalityindia.com](http://www.kwalityindia.com)

KPD/LENS Specs 2/ Dt.01.11.2010

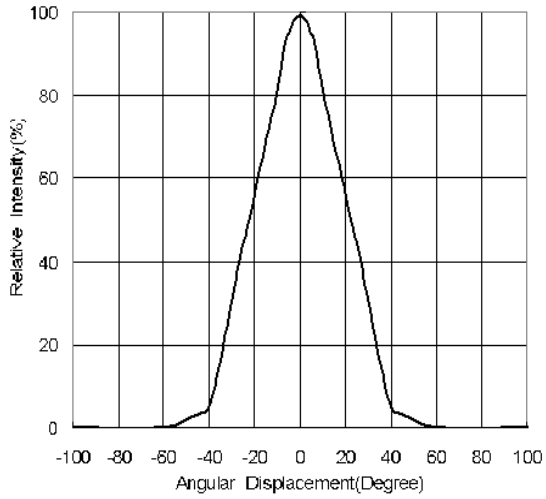
A15-L1 (15deg)



AA1550-L1



AA25-L1(25deg)



AA45-L1(45deg)

