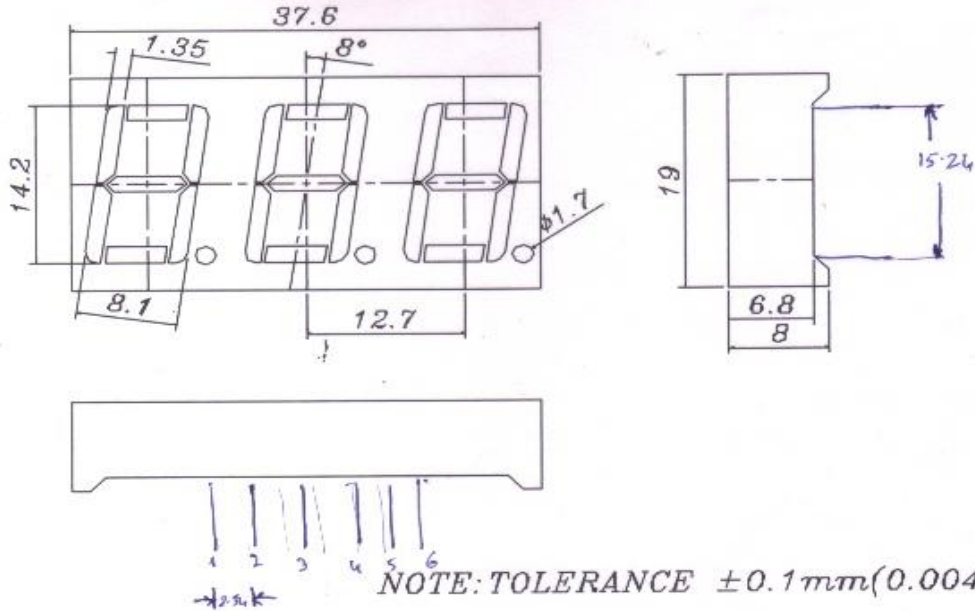


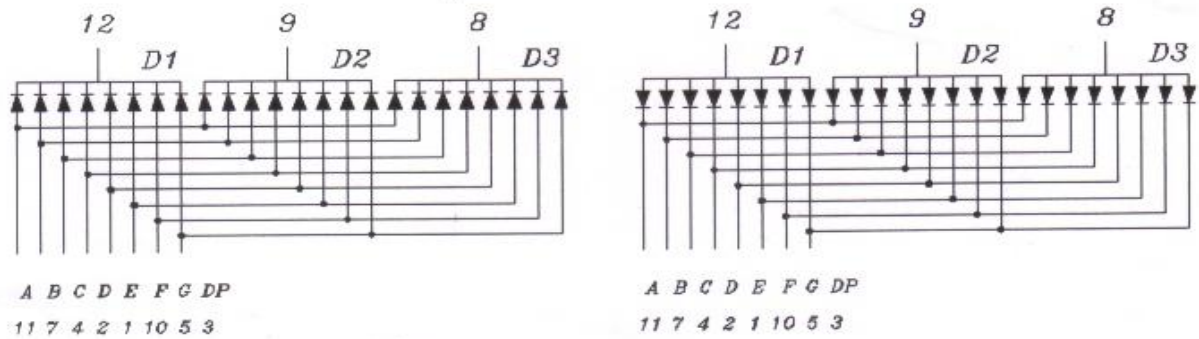
.56" (14.2mm) TRIAD DIGIT REFLECTOR

Reflector Outside Dimensions

KLT563x



P.C. Board Pin Function



PIN NO. 6 NO CONNECT

KWALITY PHOTONICS P LTD

040-32502521

Sales @ kqualityindia.com

**kquality**

**KWALITY PHOTONICS PRIVATE LIMITED**

ISO 9001-2000

29,EC Kushaiguda, Hyderabad-50 062, INDIA. PH:91-040-27123555,27136252 092462 27946

Email: [sales@kqualityindia.com](mailto:sales@kqualityindia.com)

[www.kqualityindia.com](http://www.kqualityindia.com)