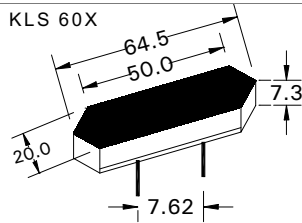
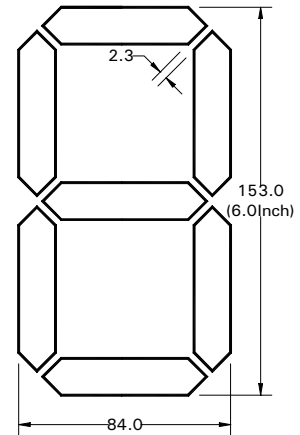


Face Length	MM	153.0
Face Width	MM	84.0
Height	MM	7.3
Pin Spacing	MM	7.62
No.of pins	Pins	2

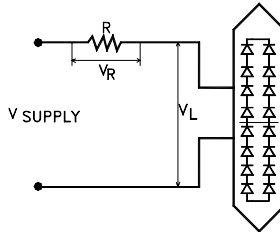


Suggested Assembly Layout by and customer



Operating Characteristics :

Design Voltage : 7.2V  
 Max. Current : 80 mA  
 No. of Chips : 4 Parallel Chains of 4 LEDs in Series



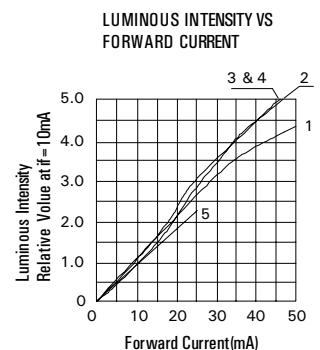
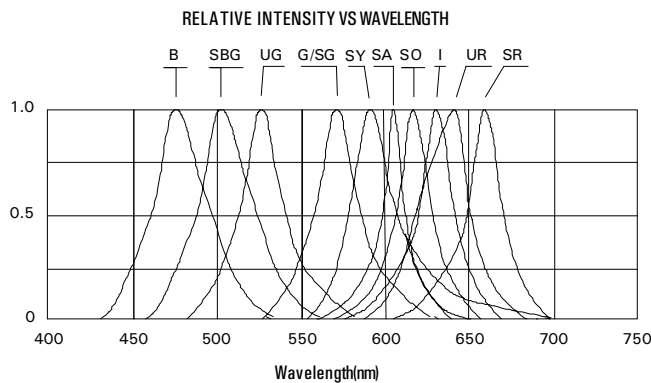
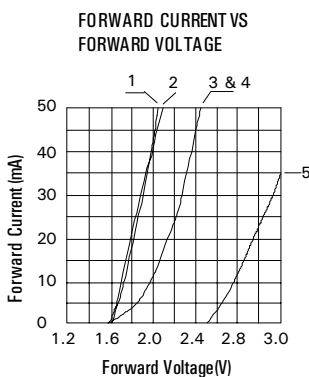
CAUTION : USE A RESISTOR				
Supply Voltage	V Led	V R@60mA	R@60mA	R@80mA
9V DC	7.2V(Typ)	1.8V DC	33 Ohms 0.25 Watt	22 Ohms 0.25 Watt
12V DC	7.2V(Typ)	4.8V DC	82 Ohms 0.5 Watt	60 Ohms 1.0 Watt

Note : All Dimensions are in mm

Tolerance ± 0.2 mm

PART NO.			KLSS60 I	KLSS60 SR	KLSS60 G	KLSS60 SG	KLSS60 SY	KLSS60 SA	KLSS60 UR	KLSS60 SO	KLSS60 B	KLSS60 BG	KLSS60 UG	KLSS60 W		
OPERATING CHARACTERISTICS AT 25°C (Bigger Display may have more than one LED chip per segment)			UNIT	SYMBOL	IRE D I	SUPER RED SR	GREEN G	SUPER GREEN SG	SUPER YELLOW SY	SUPER AMBER SA	ULTRA RED UR	SUPER ORANGE SO	BLUE B	BLUE GREEN BG	ULTRA GREEN UG	WHITE W
Semiconductor Composition					AlGaAs		GaP/AlInGaP		AlInGaP			SiC / GaInN				
Forward Voltage - Typical @ 10mA			V	V <sub>F</sub>	2.10	1.90	2.20	2.20	2.10	2.10	1.90	1.90	3.50	3.50	3.50	3.50
Forward Voltage - Maximum @ 20 mA			V	V <sub>FM</sub>	2.40	2.10	2.60	2.40	2.40	2.40	2.10	2.40	4.50	4.50	4.50	4.50
Reverse Current @ V <sub>R</sub> = 5V			μA	I <sub>R</sub>	100	100	100	100	100	100	100	100	100	100	100	100
Peak Emission Wavelength			nm	λ <sub>P</sub>	630	660	568	568	590	610	645	620	470	502	525	---
Emission Wavelength Half Width			nm	Δλ	35	20	30	15	15	15	20	20	25	30	35	---
Luminous Intensity per Segment			μcd	I <sub>V</sub>	3500	6000	4000	6000	7000	7500	13000	13000	6000	7000	17000	---
ABSOLUTE MAXIMUM RATINGS AT 25°C			V	V <sub>R</sub>	5	5	5	5	5	5	5	5	5	5	5	5
Reverse Voltage			mA	I <sub>F</sub>	20	20	20	20	20	20	20	20	20	20	20	20
Forward Current (avg)			mA	I <sub>FS</sub>	80	80	80	80	80	80	80	80	80	80	80	80
Peak Forward Current (T<1μs)			Operating / Storage Temperature Range													
			-10° C to + 85° C													
Lead Soldering Temperature			< 260° C for 5 Seconds													
			Series Resistor to be used per segment : 300 Ohms @ 5V Supply (OR) 50 to 100 Ohms @ 3V Supply													

ELECTRICAL CHARACTERISTIC CURVES



1. AlGaAs : I, SR    2. GaP : G    3 & 4. AlInGaP : SG, SY, SA, UR, SO    5. GaInN : B, BG, UG, W

KPC/KLSS60X

Rev. 01

29-12-11



**KWALITY PHOTONICS PRIVATE LIMITED**

29, EC Kushaiguda, Hyderabad-500 062, INDIA. Ph : 91-040-27123555, 27136252 Fax : 91-040-27124762  
 Email : kwality@kwalityindia.com    www.kwalityindia.com