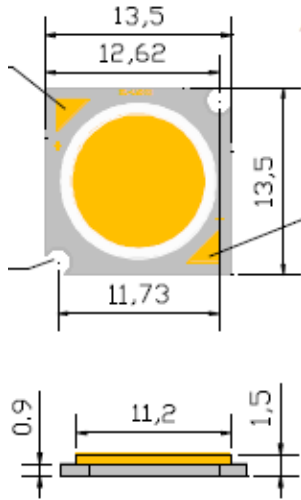


Packaging Dimensions

KLHC3613W 13W 960-1220Lm



Related Parts	CCT	Lumens(Typ)	I <sub>max</sub>
KLHC3609W Sq 13.5 mm	5700	815-980 Lm	240 mA
KLHC3613W Sq 13.5 mm	5700	960-1220 Lm	360 mA

Electrical/Optical Characteristics at Ta = 25°C

Parameters	Symbol	Min	TYP	Max.	Units	Test Condition
Forward Voltage	V <sub>F</sub>	34	36	38	V	I <sub>F</sub> =250mA
Reverse Current	I <sub>R</sub>	--	--	10	μA	V <sub>R</sub> =5V
Luminous Flux 3609W-	φV	770	815	980	Lm	I <sub>F</sub> =200mA
3613W-	φV	960	1020	1220	Lm	I <sub>F</sub> =250mA
Color Coordinated	X	--	0.32	--	--	I <sub>F</sub> =250mA
	Y	--	0.34	--	--	I <sub>F</sub> =250mA
Color Temperature	T <sub>c</sub>	--	5700	--	K	I <sub>F</sub> =250mA
Color Rendering Index	CRI	80	--	--	Ra	I <sub>F</sub> =250mA
Viewing Angle			120°			

Absolute Maximum Rating at Ta = 25°C

Parameter	Symbol	Rating	Units
Input Power 3609W-	P <sub>i</sub>	8.6	W
3613W-	P <sub>i</sub>	13	W
DC Forward Current 3609W-	I <sub>F</sub>	200	mA
3613W-	I <sub>F</sub>	250	mA
Junction Temperature	T <sub>j</sub>	115	°C
Reverse Voltage	V <sub>R</sub>	5	V
Electrostatic Discharge (HBM)	ESD	1000	V
Operating Temperature	T <sub>opr</sub>	-20°C to +85°C	°C
Lead Soldering Temperature	T <sub>sol</sub>	Max 350°C for 5 Sec Max	



KWALITY PHOTONICS PRIVATE LIMITED ISO 9001-2008

29, EC Kushaiguda, Hyderabad-500 062. PH: 91-040-27123555, 27136252

[sales@kwalitvindia.com](mailto:sales@kwalitvindia.com) [www.kwalityphotonics.com](http://www.kwalityphotonics.com)

